

“ WELL DONE IS BETTER THAN
WELL SAID.”
- BENJAMIN FRANKLIN

DISPENSE THE BEST!

The Euclid Chemical Company manufactures a wide variety of High Performance and Specialty admixtures that can be used with our dispensing systems.

HIGH PERFORMANCE CONCRETE ADMIXTURES:

ACCELERATORS

AIR ENTRAINERS

RETARDERS

WATER REDUCERS

MID-RANGE WATER REDUCERS

HIGH-RANGE WATER REDUCERS

SPECIALTY CONCRETE ADMIXTURES:

ALKALI-SILICA REACTIVITY

VISCOSITY MODIFIERS

FLOWABLE FILL

CORROSION INHIBITORS

ANTI-WASHOUT

CEMENT & HYDRATION STABILIZERS

MICROSILICA

SHRINKAGE REDUCING

SHRINKAGE COMPENSATING

SYNTHETIC MICRO-FIBERS

SYNTHETIC MACRO-FIBERS

AIR DETRAINERS

INTEGRAL COLOR



ADMIXTURE DISPENSER SYSTEMS



EUCLID CHEMICAL

19218 Redwood Rd. • Cleveland, OH 44110
Toll-free: [800] 321-7628 • Fax: [216] 531-9596

www.euclidchemical.com



An **RPM** Company

B62 Dispensers 07.19 5M © 2011 The Euclid Chemical Company. All rights reserved. The information contained herein is, to our knowledge, true and accurate. While this material is furnished in good faith, no warranty expressed or implied, of merchantability, completeness, fitness or otherwise is made. This material is offered only for your consideration, investigation and verification, and The Euclid Chemical Company disclaims any liability incurred from the use thereof and shall not in any event be liable for any special, incidental or consequential damages arising from such use. This information is not intended to be all inclusive and the manner and conditions of use and handling of any material may involve other or additional considerations specific to the use or user. Nothing herein should be construed as permission or recommendation to infringe any patent or as to any specific use. No agent, representative or employee of this company is authorized to vary any term of this notice.



EUCLID CHEMICAL



ADMIXTURE DISPENSER SYSTEMS

FOR OVER ONE HUNDRED YEARS, the name Euclid Chemical has been synonymous with quality products and service. This same ideal carries into our premium line of admixture dispenser systems. Concrete production is a fast paced environment with no time for setbacks or shutdowns. Our systems approach guarantees minimal downtime and seamless integration into your facility to ensure no interference to your production schedule.

From custom design and manufacture to expert installation and support, Euclid Chemical is dedicated to our customers' complete satisfaction.

MANUFACTURING - Euclid Chemical's dispenser center utilizes top-of-the-line components and facilities which adhere to the strict guidelines of ISO 9001-2000 ensuring that each of these systems are manufactured to the same quality that you would expect from Euclid Chemical. Before your system is installed, components are assembled and checked by our quality control technicians at our state-of-the-art dispenser center.

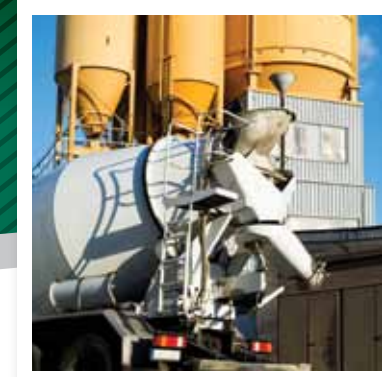
INSTALLATION - Our goal is to minimize any disruption and plant downtime. Euclid Chemical's representatives will develop a schedule with operation representatives to determine the best timing for everyone. After successful installation, our field representatives test and monitor the system for accurate, efficient performance. Once the system is put into service, a maintenance and calibration schedule is developed around your schedule.

SERVICE - The service technicians at Euclid Chemical are exceptionally experienced and cater to our customer's needs. Our entire dispenser technician network takes pride being accessible and responsive.

QUALITY COMPONENTS - Euclid Chemical utilizes time-tested, quality components such as polyethylene storage tanks to resist a broad range of elemental conditions; double diaphragm air pumps for consistent performance; stainless steel bottles for dosage verification; custom made enclosures for protection in harsh conditions; pneumatic operated air solenoids and fluid valves for maintenance-free operation and rugged portable pumps for on-site dosing. The parts used in the construction of your system wear our name so we demand only quality parts to protect your operation.

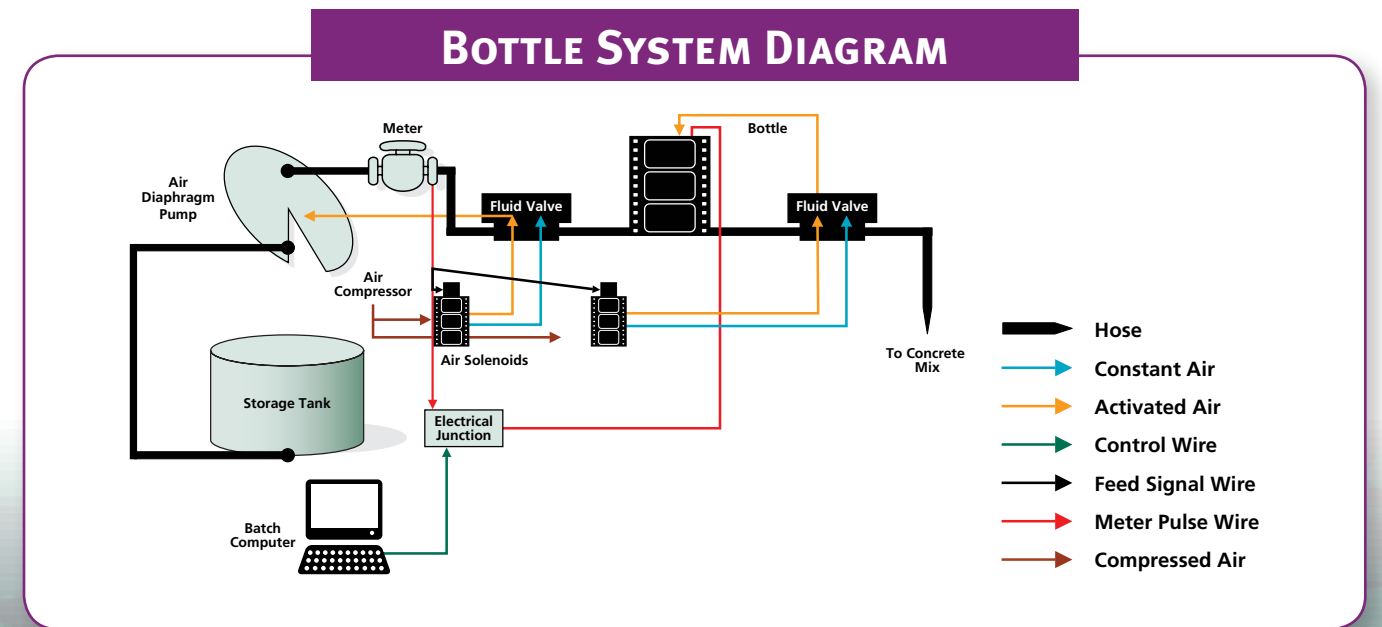
CUSTOM SOLUTIONS - At Euclid Chemical, there are no standard installs. Your production facility is like no other so your dispenser system should be a one-of-a-kind. Each facility and environment is taken into consideration when your system is designed. An area field representative will visit the location and determine, with input from the plant representative, the needs of each operation. A system is then designed to fit each facility's needs.

TRAINING - Dispenser systems installed by our professional service technicians have a long-running reputation for maintenance-free operation. However, as with all systems that experience the punishment of everyday operation coupled with extended idle time, minor mechanical issues can arise. Plant personnel can be trained to perform some these minor maintenance issues to minimize disruption to the operation and our knowledgeable dispenser network is only a phone call away.



TYPICAL DISPENSER SYSTEM STRUCTURE

BOTTLE SYSTEM DIAGRAM



METER DIRECT DIAGRAM

